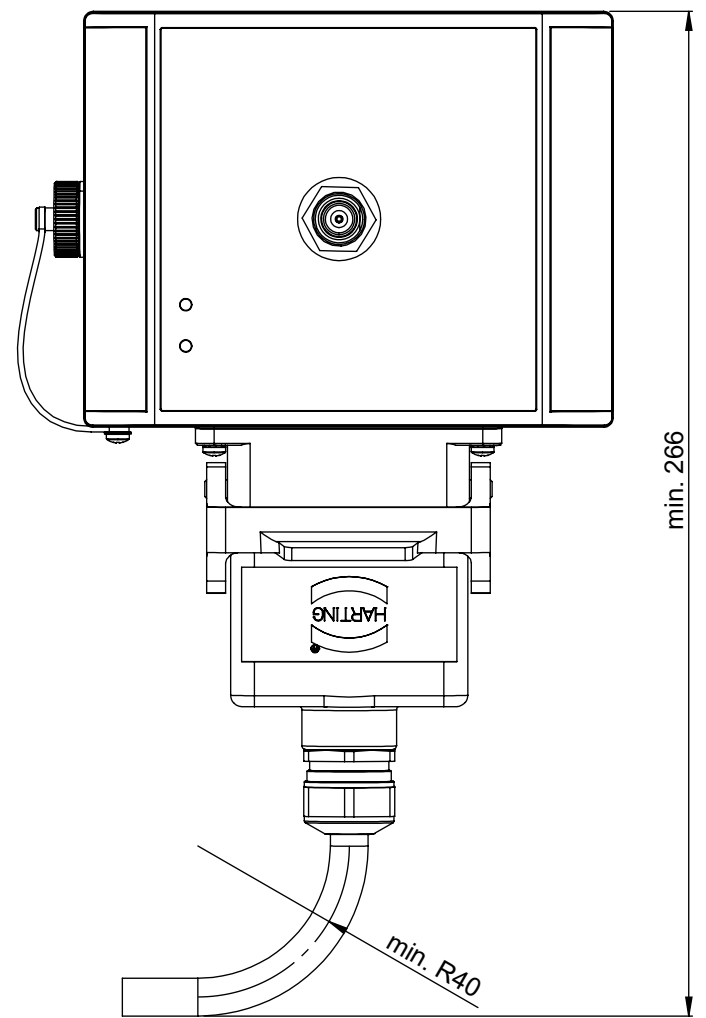
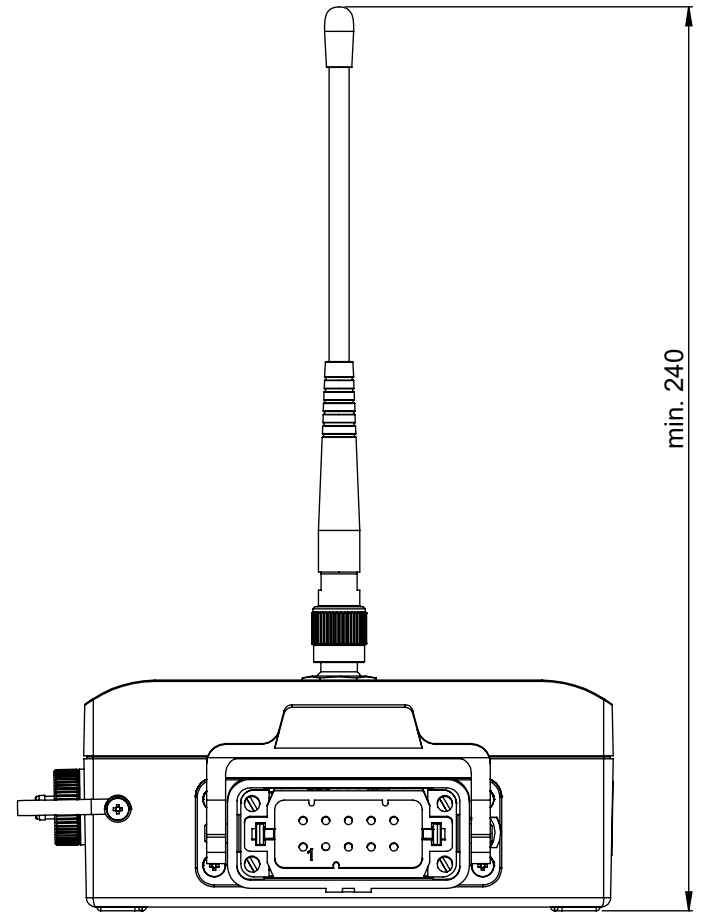
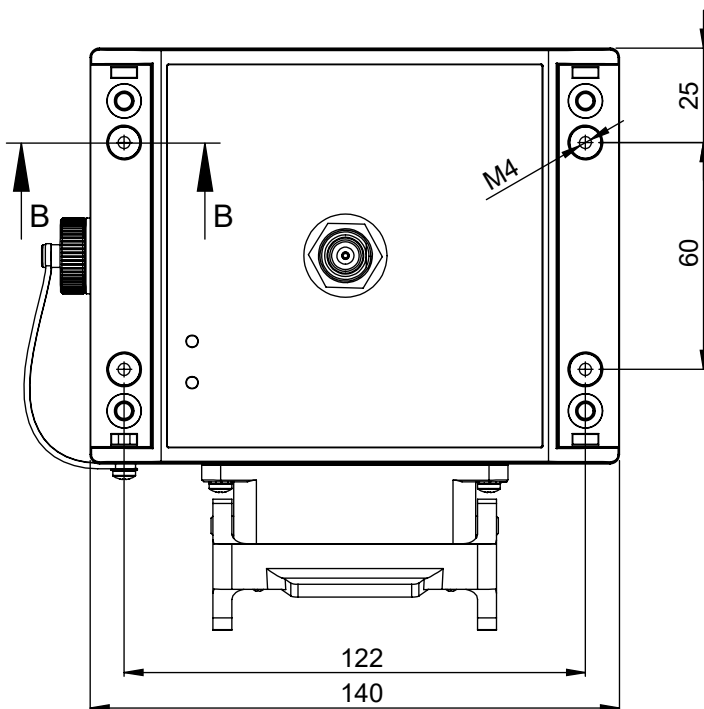


Measurements for mounting the receiver
(M4 insert nuts below the both grey side covers)



Bending radius of the connecting cable

Fixed: minimum of 40mm
Occasionally moved: minimum of 100mm

Dimensions

Scale: 1:2
Sheet Size: A3
Release: 2017/05/02